

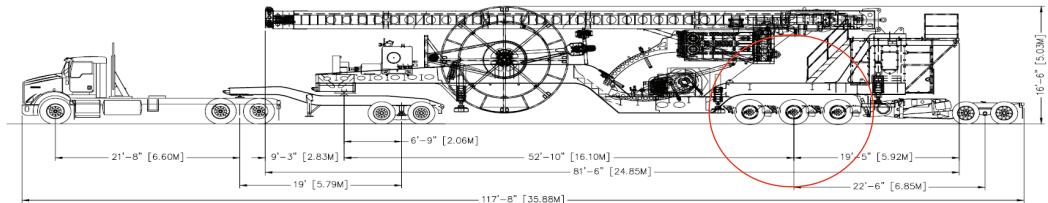
**D.A.Watt Consulting**

Established in 1983, D. A. Watt Consulting is a Calgary based, multi-disciplinary practice of Professional Engineers, Land Surveyors and Project Managers.

**The Challenge**

As part of their services, D A Watt are required model the movement of large vehicles. In order to check these movements they use AutoTrack and so they routinely define custom vehicles.

Then they met this vehicle, a Coiled Tubing A/C Rig. The company that owned the vehicle were being forced to reorient their site access away from a major street to a side street. D A Watt had been asked to look at the revised movements that these big vehicles would be forced to make, and assist with the location and design of appropriate new driveways.

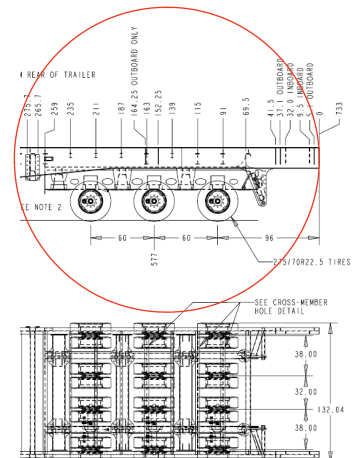


As Transportation Manager and Technical Director, Glen Holland, said when he approached us, *"This is far more complex than anything I've ever tried to model, and am hoping you can provide some hints!!"*

**The Solution**

Well, luckily for Glen, we could. The tractor and dolly are fairly standard but the main trailer is quite special. What appear, from a side view, to be three main trailer axles are actually six, four wheeled Pendel axles arranged in three rows of two across the width of the vehicle. For obvious reasons this layout is called 24 wheel suspension. The entire axle group turns in direct proportion to the articulation angle between the main trailer and the dolly such that each of the six axles turns through a different angle. The two rearmost booster axles don't do a great deal, they just help to spread the load.

Savoy defined the vehicle for D A Watt and, as they say, the rest is history.



- Why D A Watt Consulting use AutoTrack:**
- Only swept path program capable of modelling their vehicles
  - Easy to use vehicle editor to create their specialised vehicles
  - They can be sure of knowledgeable technical assistance

**autodesk**  
authorised developer

[www.savoy.co.uk](http://www.savoy.co.uk)



**SAVOY**



**COMPUTING  
SERVICES LTD**

Savoy Computing  
Services Ltd  
The Oast House  
Buckhurst Farm  
Sissinghurst  
Kent, TN17 2AA  
England

T: +44(0)1580 720 011  
F: +44(0)1580 720 022  
E: [sales@savoy.co.uk](mailto:sales@savoy.co.uk)  
W: [www.savoy.co.uk](http://www.savoy.co.uk)  
US: 1-866 527 3790